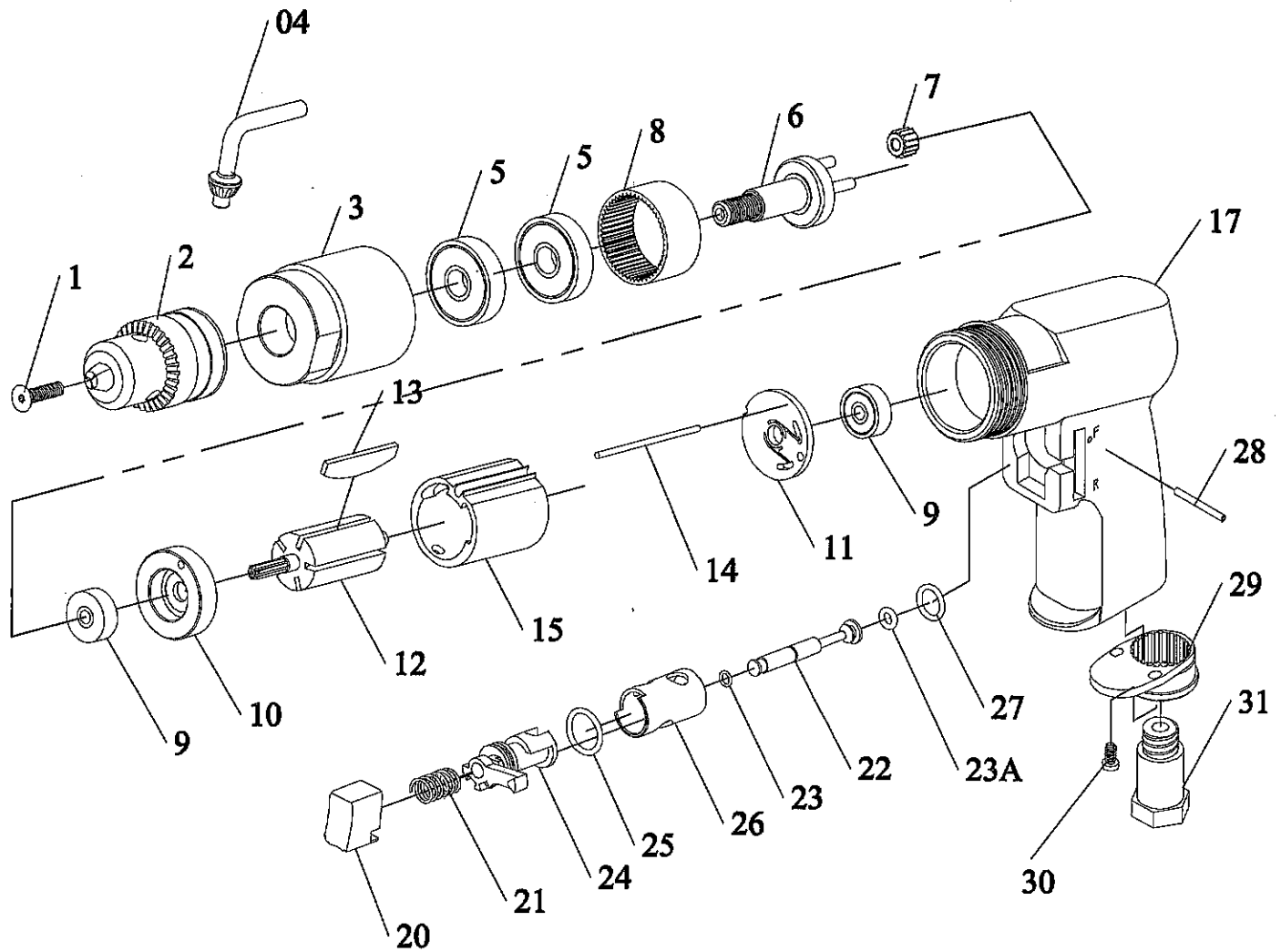


W5300-1

# 3/8" Reversible Drill



| Ref.No. | Part No. | Description    | Q'ty | Ref.No. | Part No. | Description      | Q'ty |
|---------|----------|----------------|------|---------|----------|------------------|------|
| 1       | 612001   | Screw          | 1    | 17      | 612017   | Motor Housing    | 1    |
| 2       | 612002   | Drill Chuck    | 1    | 20      | 612020   | Trigger          | 1    |
| 3       | 612003   | Gear Housing   | 1    | 21      | 612021   | Valve Spring     | 1    |
| 4       | 612004   | Key            | 1    | 22      | 612022   | Valve Stem       | 1    |
| 5       | 612005   | Ball Bearing   | 2    | 23      | 612023   | O-Ring           | 1    |
| 6       | 612006   | Planet Carrier | 1    | 23A     | 61223A   | O-Ring           | 1    |
| 7       | 612007   | Planet Gear    | 3    | 24      | 612024   | Reverse Lever    | 1    |
| 8       | 612008   | Internal Gear  | 1    | 25      | 612025   | O-Ring           | 1    |
| 9       | 612009   | Ball Bearing   | 2    | 26      | 612026   | Reverse Bushing  | 1    |
| 10      | 612010   | Bearing Case   | 1    | 27      | 612027   | O-Ring           | 1    |
| 11      | 612011   | End Plate      | 1    | 28      | 612028   | Pin              | 1    |
| 12      | 612012   | Rotor          | 1    | 29      | 612029   | Exhaust Deffuser | 1    |
| 13      | 612013   | Rotor Blade    | 5    | 30      | 612030   | Screw            | 2    |
| 14      | 612014   | Motor Pin      | 1    | 31      | 612031   | Air Inler        | 1    |
| 15      | 612015   | Cylinder       | 1    |         |          |                  |      |