

DEVILBISS
AUTOMOTIVE REFINISHING

REFINE THE FINISH



DV1s SMART Repair Gun

EXPERIENCE THE NEXT GENERATION OF SMART & SPOT REPAIR APPLICATION

Introducing the DV1s SMART & Spot Repair Spray Gun: the newest addition to the DV1 family of revolutionary spray guns. The gun provides consistency and optimization in spraying the latest materials in the market today.

The DV1s SMART & Spot Repair gun features three all-new DV1s SMART Repair Air Caps, delivering superior high-efficiency performance for a perfect invisible repair finish. The air caps deliver consistent and homogenous spray patterns to provide flawless, right first time results. The all-new fluid tip designs matches the optimum fluid flow while stabilizing air flow, minimizing material usage and providing significant paint savings.

Consistent with the popular DV1 Clearcoat, the DV1s SMART Repair maintains the matte black gun body finish for improved grip and easy handling.

Through controlled performance, proven paint savings and superior atomization, the DV1s SMART Repair Spray Gun gives painters the confidence to know they can achieve high-quality applications matching original finishes every time for their repair jobs.

FEATURES

- Delivers ultimate SMART Repair application performance
- Sprays consistent and homogeneous spray patterns
- Atomizes effortlessly with a selection of finely tuned air cap and fluid nozzle setups
- Provides maximum comfort and easy use from set-up through the entire spraying process
- Provides maximum comfort and ease of use with right the first time results
- Improved transfer efficiency saving time, money, and repair costs per job



DV1s

DV1S SMART/SPOT REPAIR GUN SYSTEM COMPONENTS & ORDER NUMBERS

Part Listing

| Image Reference | Part Number | Description | Qty |
|-----------------|-------------|-----------------------------------|-----|
| 1 | - | Retaining Ring | 1 |
| 2 | - | Slip Ring | 1 |
| 3 | - | Retaining Ring Seal | 1 |
| 4 | 704472 | Retaining Ring Sub Assembly | 1 |
| 5 | - | Air Cap | 1 |
| 6 | 704480 | Spring Clip (Kit of 5) | 1 |
| 7 | SEE TABLE 1 | Air Cap & Retaining Ring | 1 |
| 8 | SEE TABLE 2 | Fluid Nozzle | 1 |
| 9 | 704464 | Deflector Plate | 1 |
| 10+ | 704403 | Screw (Kit of 3) | 3 |
| 11 | - | Sprayhead | 1 |
| 12+ | 704463 | Gasket (Kit of 2) | 1 |
| 13 | 704462 | Spray Head Kit | 1 |
| 14 | - | Needle Packing | 1 |
| 15 | - | Packing Spring | 1 |
| 16 | - | Packing Nut | 1 |
| 17+ | 905294 | Packing, Spring & Packing Nut Kit | 1 |
| 18 | - | O-Ring | 1 |
| 19 | - | Air Valve Cage | 1 |
| 20 | - | Seal | 2 |
| 21* | - | Seal Guide | 2 |
| 22* | - | Valve Seat | 1 |
| 23# | 704469 | Front Cage Assembly | 1 |
| 24 | - | Air Valve Stem | 1 |
| 25# | - | Air Valve Spring | 1 |
| 26 | - | Rear Seal Housing | 1 |
| 27 | 704470 | Rear Seal Assembly | 1 |
| 28+ | 704471 | Air Valve Assembly | 1 |
| 29 | - | Identification Sleeve | 1 |
| 30 | - | Sleeve Nut | 1 |
| 31 | 704473 | Sleeve Kit | 1 |
| 32 | SEE TABLE 2 | Fluid Needle | 1 |
| 33 | - | Needle Spring | 1 |
| 34 | - | Spring Pad | 1 |
| 35#+ | 704405 | Needle Spring Kit | 1 |
| 36 | 704465 | Fluid Adjusting Knob | 1 |
| 37 | - | O-Ring | 2 |
| 38 | - | Flow Valve Body | 1 |
| 39 | - | Flow Valve Knob | 1 |
| 40 | - | Circlip | 1 |
| 41 | 704417 | Inline Flow Valve | 1 |
| 42 | - | Plug | 1 |
| 43 | - | Trigger Screw | 1 |
| 44 | - | Spring | 1 |
| 45 | - | Trigger Stud | 1 |
| 46 | - | Trigger | 1 |
| 47 | 704466 | Trigger, Stud, Spring & Screw Kit | 1 |
| 48 | - | Screw | 1 |
| 49#+ | - | Spreader Valve Pin | 1 |
| 50 | - | Spreader Valve Stem | 1 |
| 51#+ | - | O-Ring | 1 |
| 52 | - | Valve Body | 1 |
| 53#+ | - | O-Ring | 1 |
| 54 | - | Spreader Valve Adjusting Knob | 1 |
| 55 | 704468 | Spreader Knob Kit | 1 |
| 56 | 704467 | Spreader Valve Assembly | 1 |
| 57 | - | Valve Tool | 1 |
| 58 | - | Torx Driver | 1 |
| 59 | - | Tip Wrench | 1 |
| 60 | 704474 | Tool Kit | 1 |

Gravity Cups

| | | |
|--------|----------------------------|--|
| 905311 | Gravity Cup Kit | |
| 905202 | Drip Check Lid (Kit of 5) | |
| 905308 | Gravity Cup Lid (Kit of 2) | |
| 905309 | Filter (Kit of 3) | |
| 905312 | Funnel (Kit of 12) | |

Service Kits

| | | |
|--------|------------------------|-------------------------|
| 704475 | DV1s Minor Service Kit | Includes Items Marked # |
| 704476 | DV1s Major Service Kit | Includes Items Marked + |

Table 1: Performance Guide

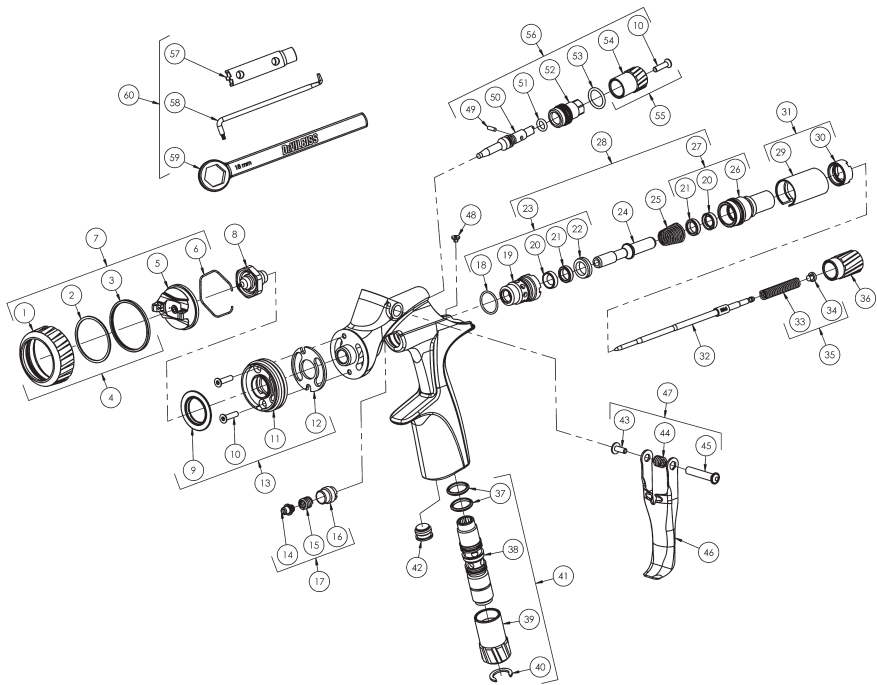
| Air Cap Part Number | 704451 | 704452 | 704453 |
|--|---------------------|----------------------|----------------------|
| Air Cap & Type | DV1-M1 Micro (HVLP) | DV1-S1 Plus (HVLP) | DV1-S2 (HVLP) |
| Recommended Air Pressure at Gun Inlet | 1.0 bar (15 psi) | 2.0 bar (29 psi) | 2.0 bar (29 psi) |
| Air Consumption | 50 L/min (1.8 scfm) | 115 L/min (4.1 scfm) | 130 L/min (4.6 scfm) |
| Fluid Flow | 1 - 50 g/min | 5 - 125 g/min | 5 - 125 g/min |
| Pattern Height | 60mm (2.4 in) | 200mm (7.9 in) | 180mm (7.1 in) |

Table 2: Nozzles & Needles

| Fluid Nozzle | | | Fluid Needle | |
|--------------|-------|----------|--------------|---------|
| Part Number | Size | Marking | Part Number | Marking |
| 704454 | 0.7mm | DV1 0.7M | 704460 | DV1-M |
| 704455 | 0.9mm | DV1 0.9M | | |
| 704456 | 0.8mm | DV1 0.8S | 704459 | DV1-S |
| 704457 | 1.0mm | DV1 1.0S | | |
| 704458 | 1.2mm | DV1 1.2S | | |

Spray Gun Kit

| Order Number | Description | Air Cap | Tip(s) | Cup Type |
|--------------|------------------------------|---------|----------|-------------------|
| 704531 | DV1s M1 HVLP Gravity Gun Kit | DV1-M1 | 0.7, 0.9 | 125ml, Acetyl Cup |
| 704532 | DV1s S1 HVLP Gravity Gun Kit | DV1-S1 | 1.0, 1.2 | 125ml, Acetyl Cup |
| 704533 | DV1s S2 HVLP Gravity Gun Kit | DV1-S2 | 1.0, 1.2 | 125ml, Acetyl Cup |



DeVilbiss Automotive Refinishing
1-800-445-3988 | askus@carlisleleft.com

autorefinishdevilbiss.com



1-800-992-4657 | askcft@autorefinishdevilbiss.com | carlisleleft.com

©2021 Carlisle Fluid Technologies, Inc. *DeVilbiss* is a registered trademark of Carlisle Fluid Technologies, Inc. Models and specifications subject to change without notice. All rights reserved. | Form No. 09-242-01